

MBCU

TABLE OF CONTENTS

MBCU.1 (COVER)
 MBCU.2 (DATA PATH)
 MBCU.3
 MBCU.4
 MBCU.5
 MBCU.6
 MBCU.7
 MBCU.7 ARBCTL.1
 MBCU.8 (ERROR LOG)
 MBCU.9 (A/D CONVERTER)
 MBCU.10
 MBCU.11 (IOP CONNECTORS)
 MBCU.12

REVISION HISTORY

R05	8/29/84	RELEASE TO MANUFACTURING
-----	---------	--------------------------

THIS DOCUMENT CONTAINS INFORMATION PROPRIETARY TO CONVEX COMPUTER CORPORATION (CONVEX). USE OR DISCLOSURE WITHOUT THE WRITTEN PERMISSION OF AN OFFICER OF CONVEX IS EXPRESSLY FORBIDDEN. COPYRIGHT (C) CONVEX 1984

DEFINITION
 OF
 SYMBOLS
 AND
 ABBREVIATIONS



CONVEX

TITLE: MBCU (COVER)

DRAWING: 420-000100-300 REV B05

REVISED: Thu Aug 30 08:17:24 1984

PAGE:

AREA: MBCU

ENGR: NOBLES

MBCU.1

8

7

6

5

4

3

2

1

D

D

C

C

B

B

A

A

8

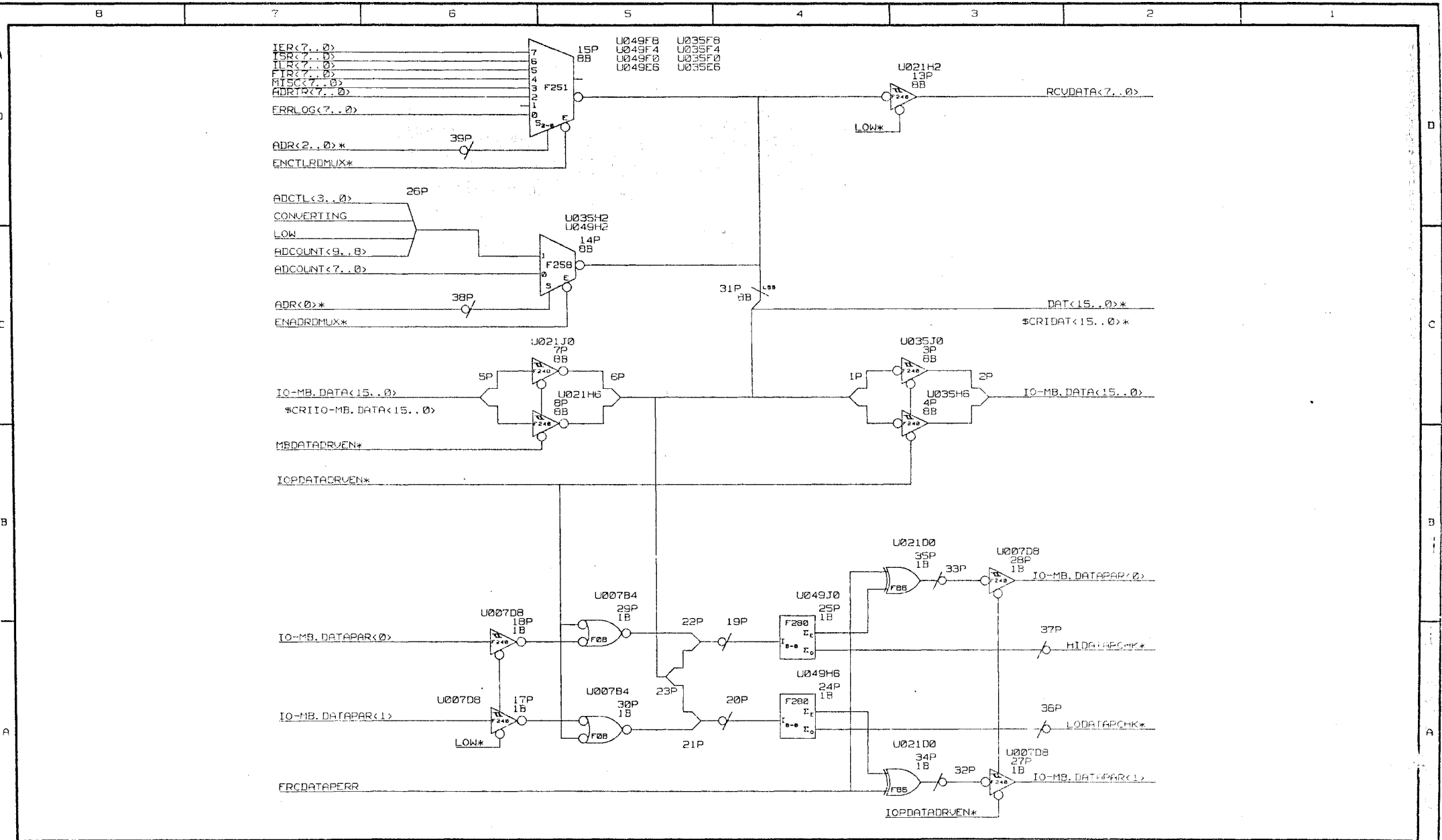
7

6

3

2

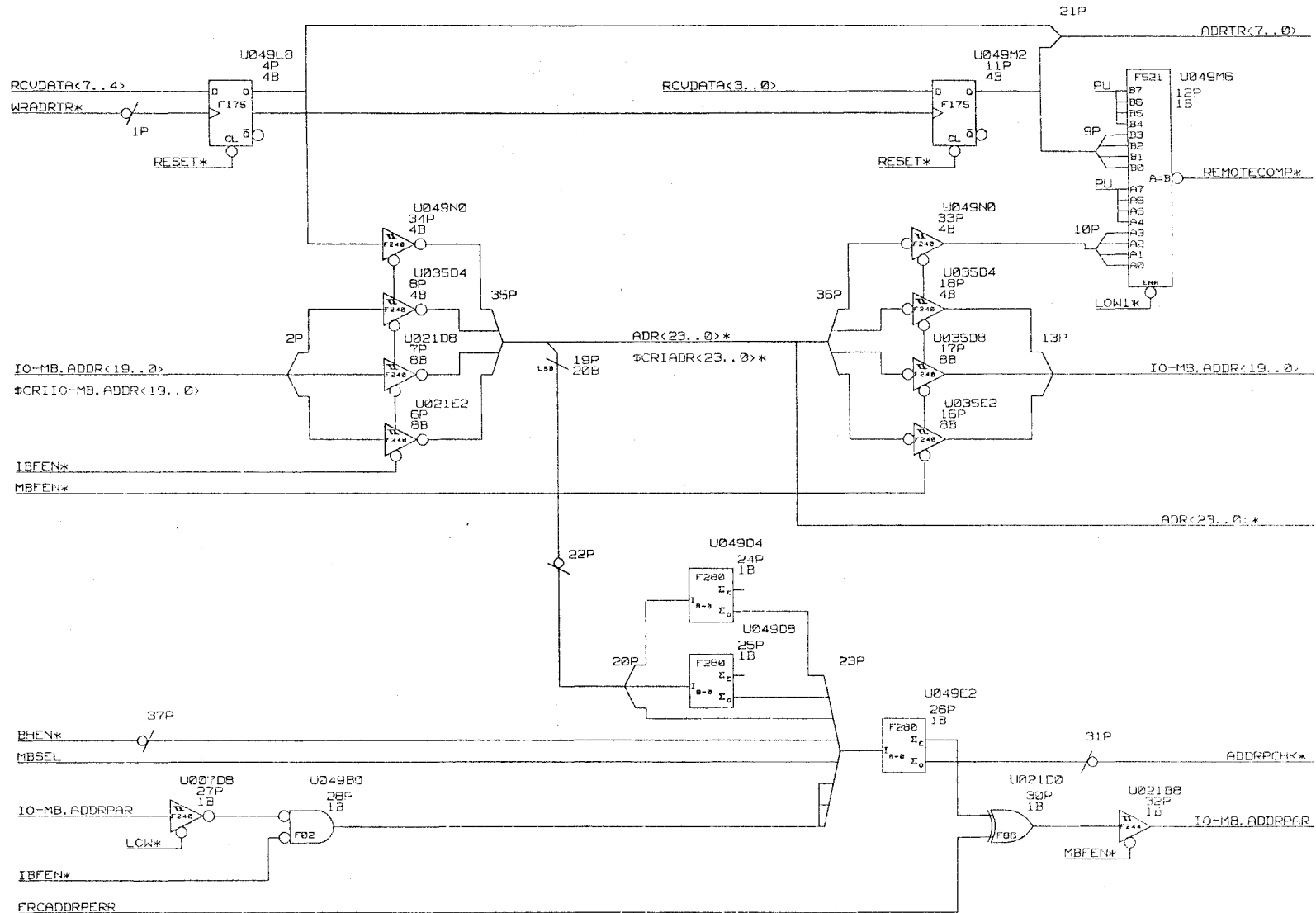
1



THIS DOCUMENT CONTAINS INFORMATION PROPRIETARY TO CONVEX COMPUTER CORPORATION (CONVEX). USE OR DISCLOSURE WITHOUT THE WRITTEN PERMISSION OF AN OFFICER OF CONVEX IS EXPRESSLY FORBIDDEN. COPYRIGHT (C) CONVEX 1984



TITLE: MBCU (DATA PATH)	MSBP: MBCU
DRAWING: 420-200100-300 REV B05	ENGR: NOBLES
REVISED: Thu Aug 01 08:46:29 1984	PAGE: MBCU.2

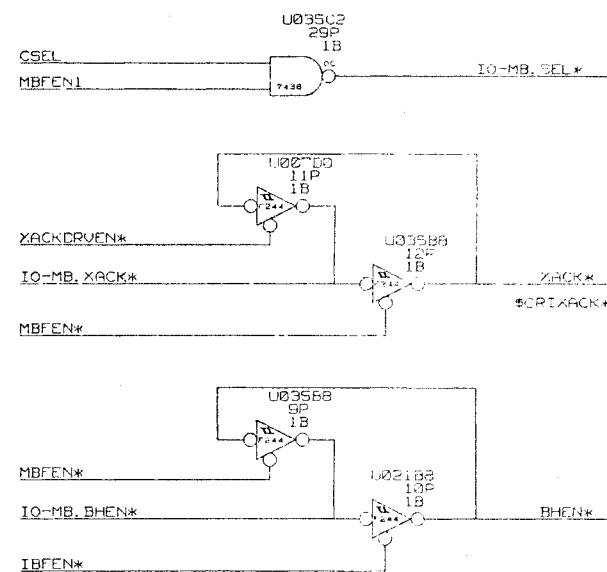
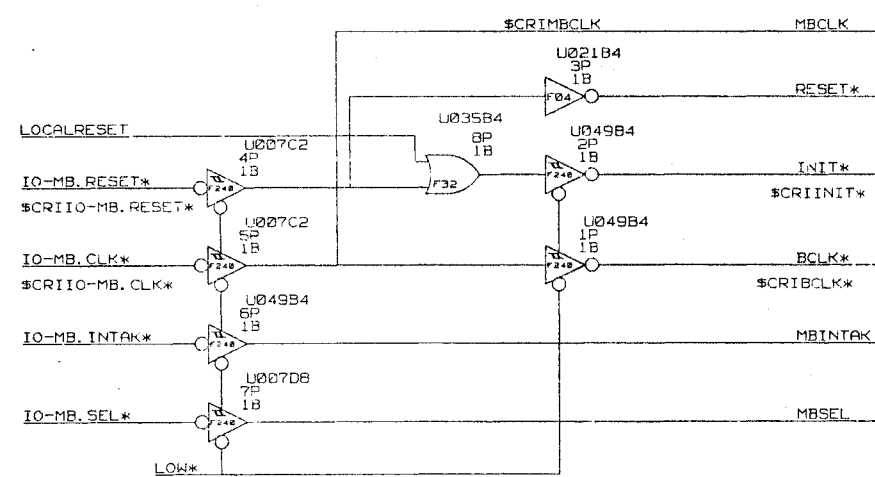
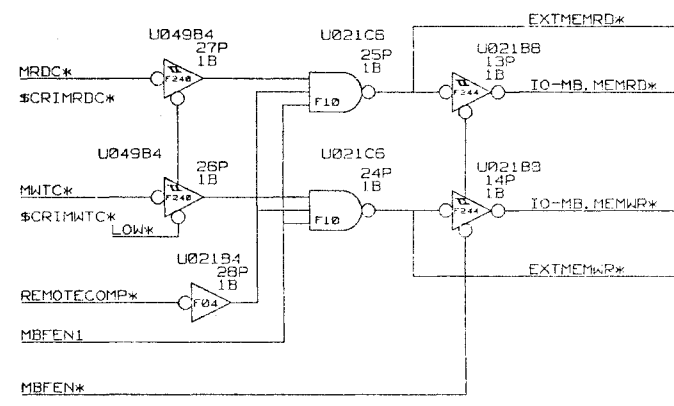
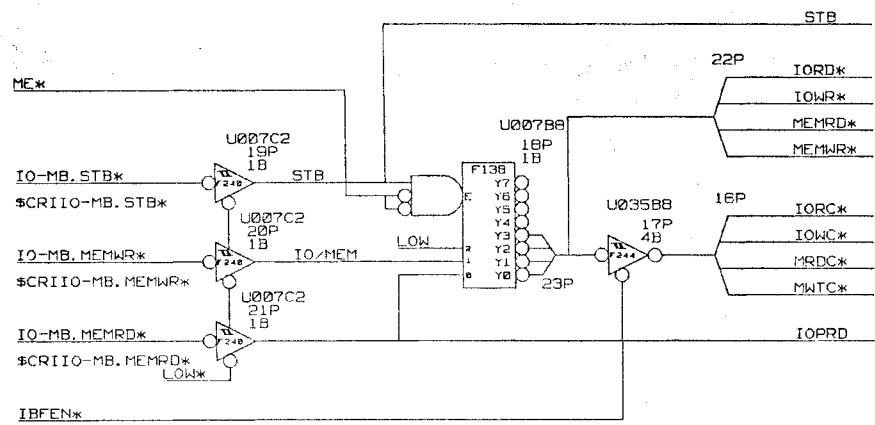


D
C
B
A

THIS DOCUMENT CONTAINS INFORMATION PROPRIETARY TO CONVEX COMPUTER CORPORATION (CONVEX). USE OR DISCLOSURE WITHOUT THE WRITTEN PERMISSION OF AN OFFICER OF CONVEX IS EXPRESSLY FORBIDDEN. COPYRIGHT (C) CONVEX 1984



TITLE: MBCU		HRBR: MSCU
DRAWING: 420-000100-302 REV 825		ENGR: NOBLES
REVISED: Thu Aug 30 03:50:29 1984	PAGE: MBCU.3	

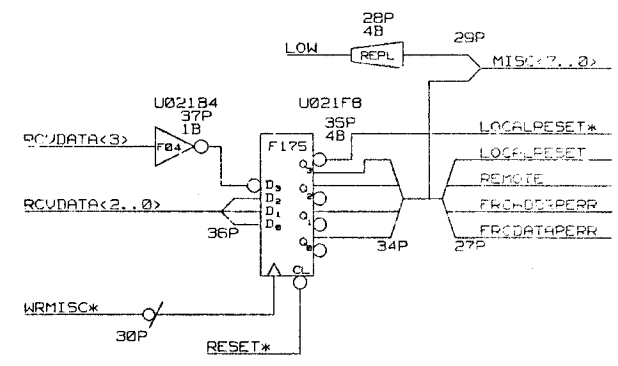
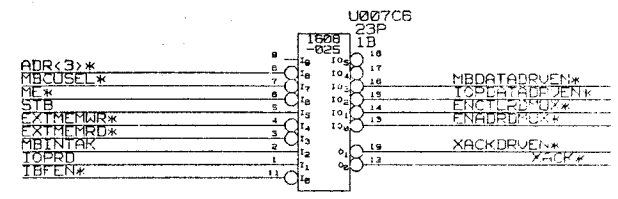
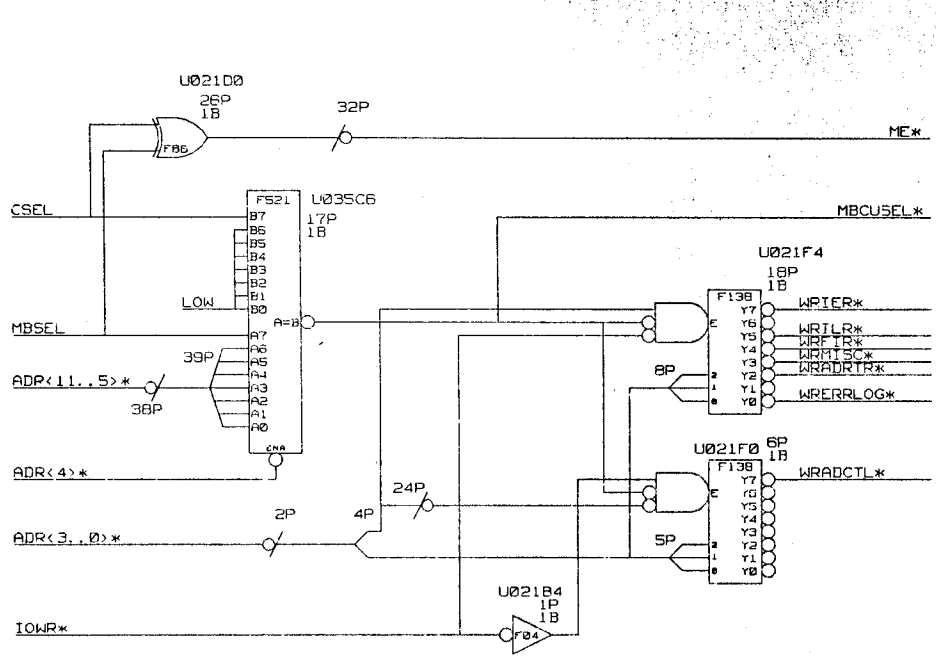


THIS DOCUMENT CONTAINS INFORMATION PROPRIETARY TO CONVEX COMPUTER CORPORATION (CONVEX). USE OR DISCLOSURE WITHOUT THE WRITTEN PERMISSION OF AN OFFICER OF CONVEX IS EXPRESSLY FORBIDDEN. COPYRIGHT (C) CONVEX 1984



TITLE: M8CU
 DRAWING: 420-000100-300 REV B05
 REVISID: Thu Aug 30 12:01:13 1984
 PAGE: M8CU.4

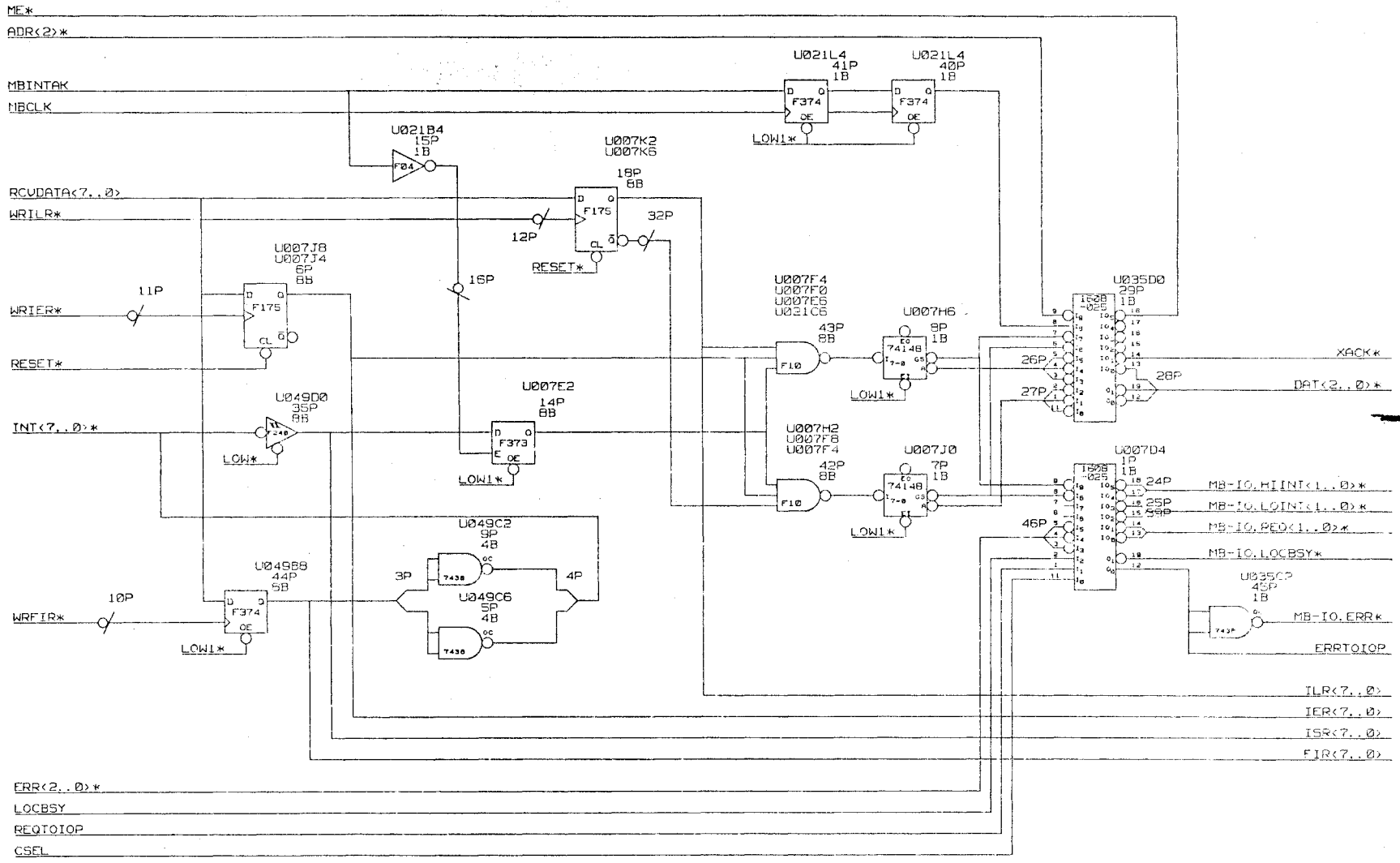
DESIGN: KBCU
 ENGR: NOBLES



THIS DOCUMENT CONTAINS INFORMATION PROPRIETARY TO CONVEX COMPUTER CORPORATION (CONVEX). USE OR DISCLOSURE WITHOUT THE WRITTEN PERMISSION OF AN OFFICER OF CONVEX IS EXPRESSLY FORBIDDEN. COPYRIGHT (C) CONVEX 1984



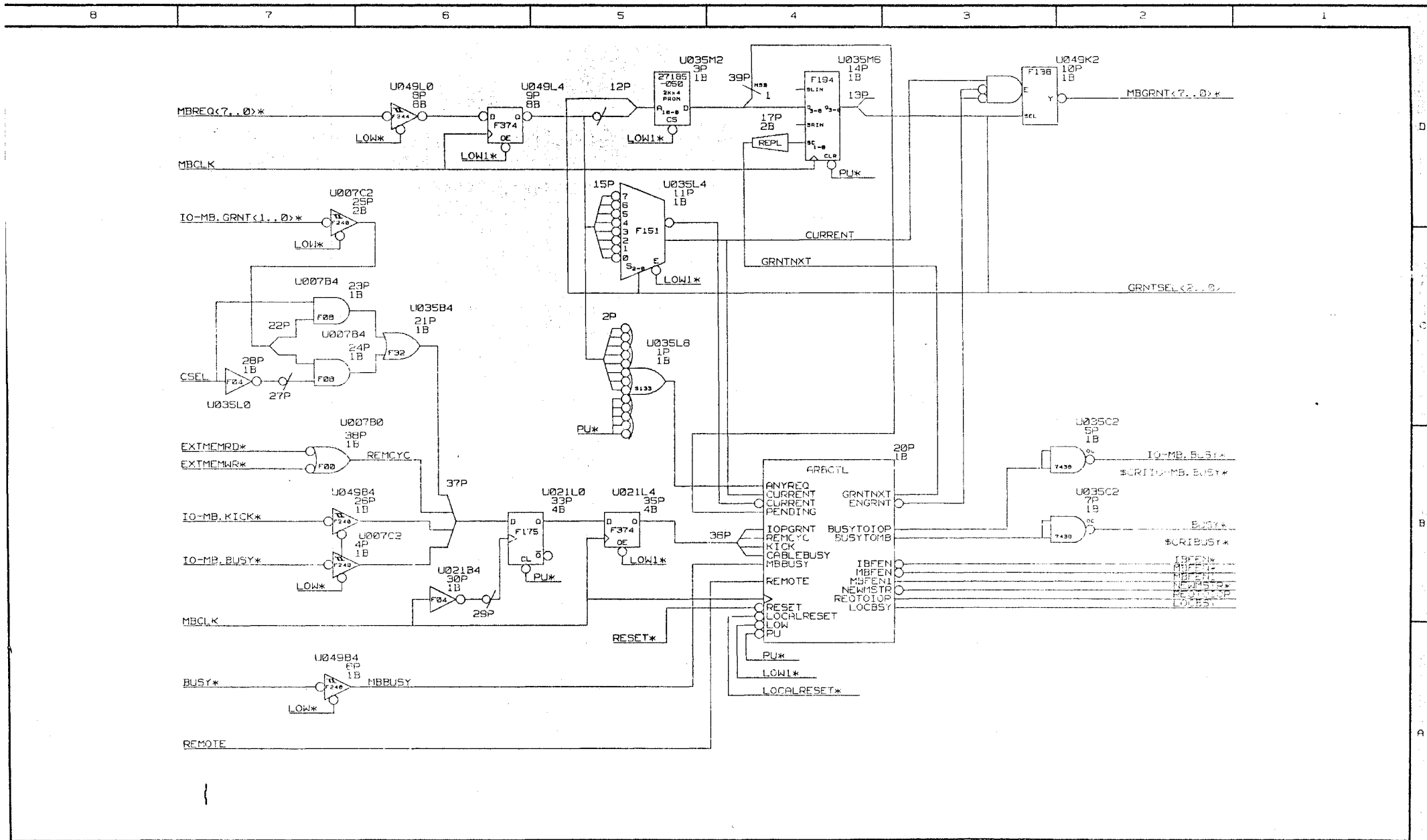
TITLE: MBCU	A5BR: MBCU
DRAWING: 420-000100-300 REV B05	ENGP: NOBLES
REVISED: Thu Aug 30 00:11:56 1984	PAGE: MBCU.5



THIS DOCUMENT CONTAINS INFORMATION PROPRIETARY TO CONVEX COMPUTER CORPORATION (CONVEX). USE OR DISCLOSURE WITHOUT THE WRITTEN PERMISSION OF AN OFFICER OF CONVEX IS EXPRESSLY FORBIDDEN. COPYRIGHT (C) CONVEX 1984



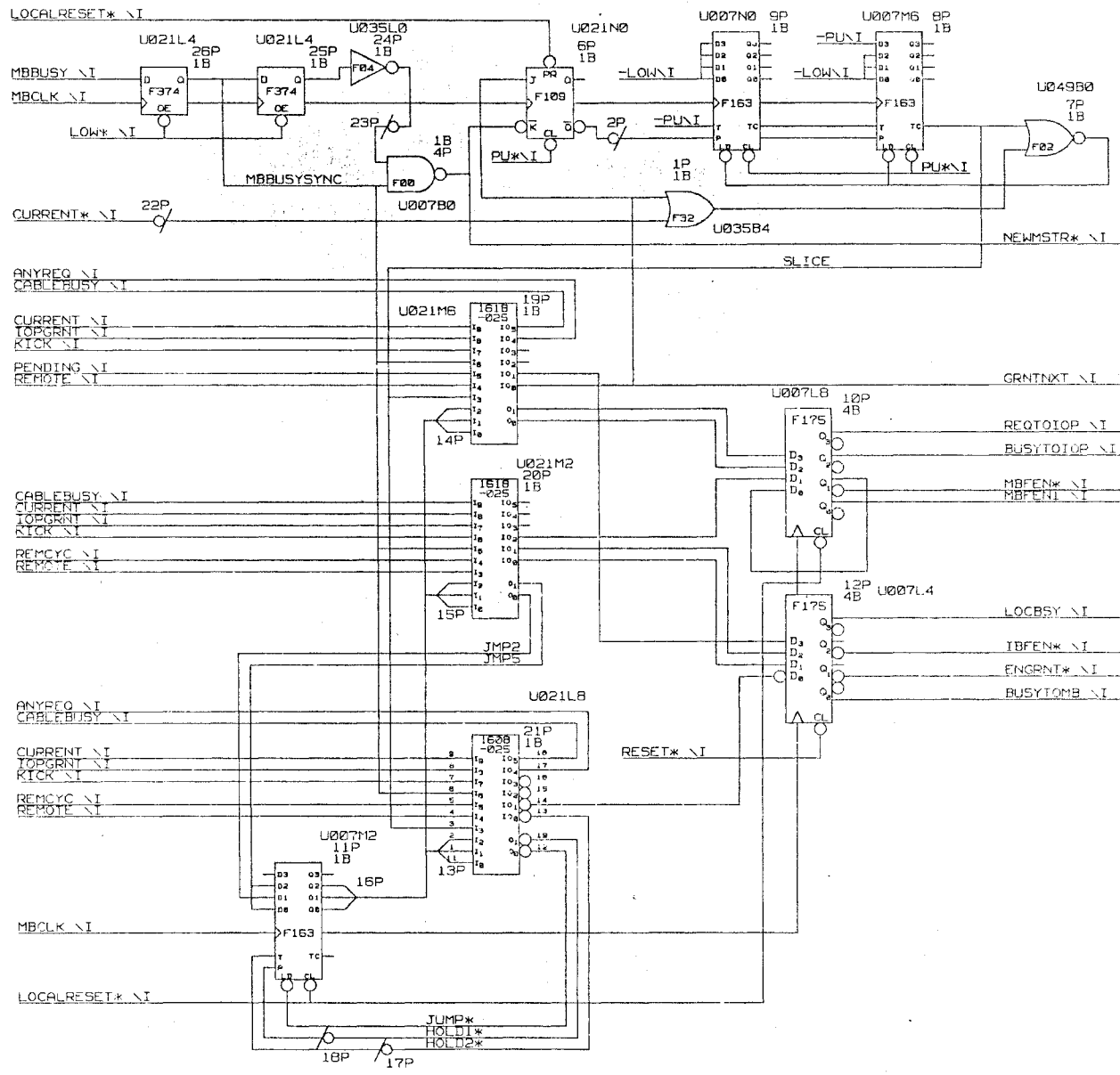
TITLE: MBIO
 DRAWING: 420-000100-500 REV 005
 REVISION: The Aug 30 Rev 001 40 1984
 ADDR: MBIO
 ENOP: NOBLE'S
 PART: MBIO.5



THIS DOCUMENT CONTAINS INFORMATION PROPRIETARY TO CONVEX COMPUTER CORPORATION (CONVEX). USE OR DISCLOSURE WITHOUT THE WRITTEN PERMISSION OF AN OFFICER OF CONVEX IS EXPRESSLY FORBIDDEN. COPYRIGHT (C) CONVEX 1984



TITLE: ABCU	REPR: 1800
DRAWING: 420-000120-300 REV B05	ENCR: 00015
REVISED: Thu Aug 30 1984 11:34	PAGE: ABCU.7

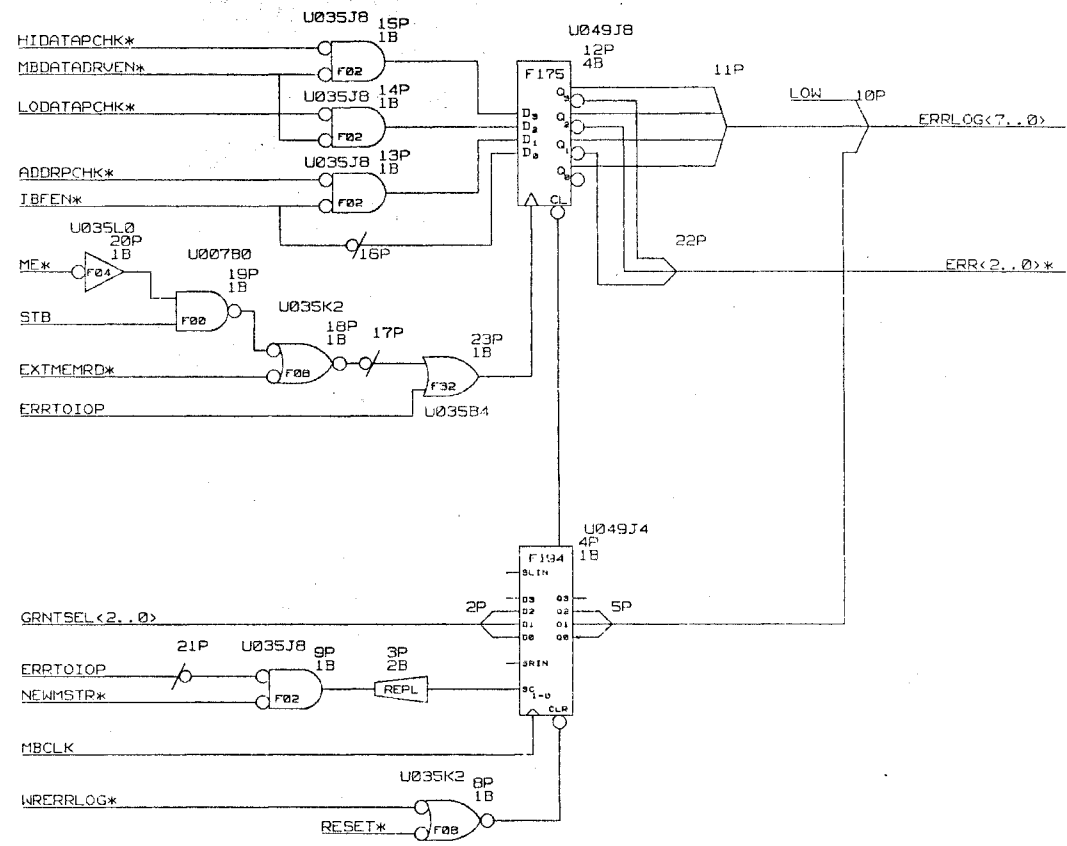


THIS DOCUMENT CONTAINS INFORMATION PROPRIETARY TO CONVEX COMPUTER CORPORATION (CONVEX). USE OR DISCLOSURE WITHOUT THE WRITTEN PERMISSION OF AN OFFICER OF CONVEX IS EXPRESSLY FORBIDDEN. COPYRIGHT (C) CONVEX 1984

DEFINITIONS
X-REFS
X-STEP-ASIS



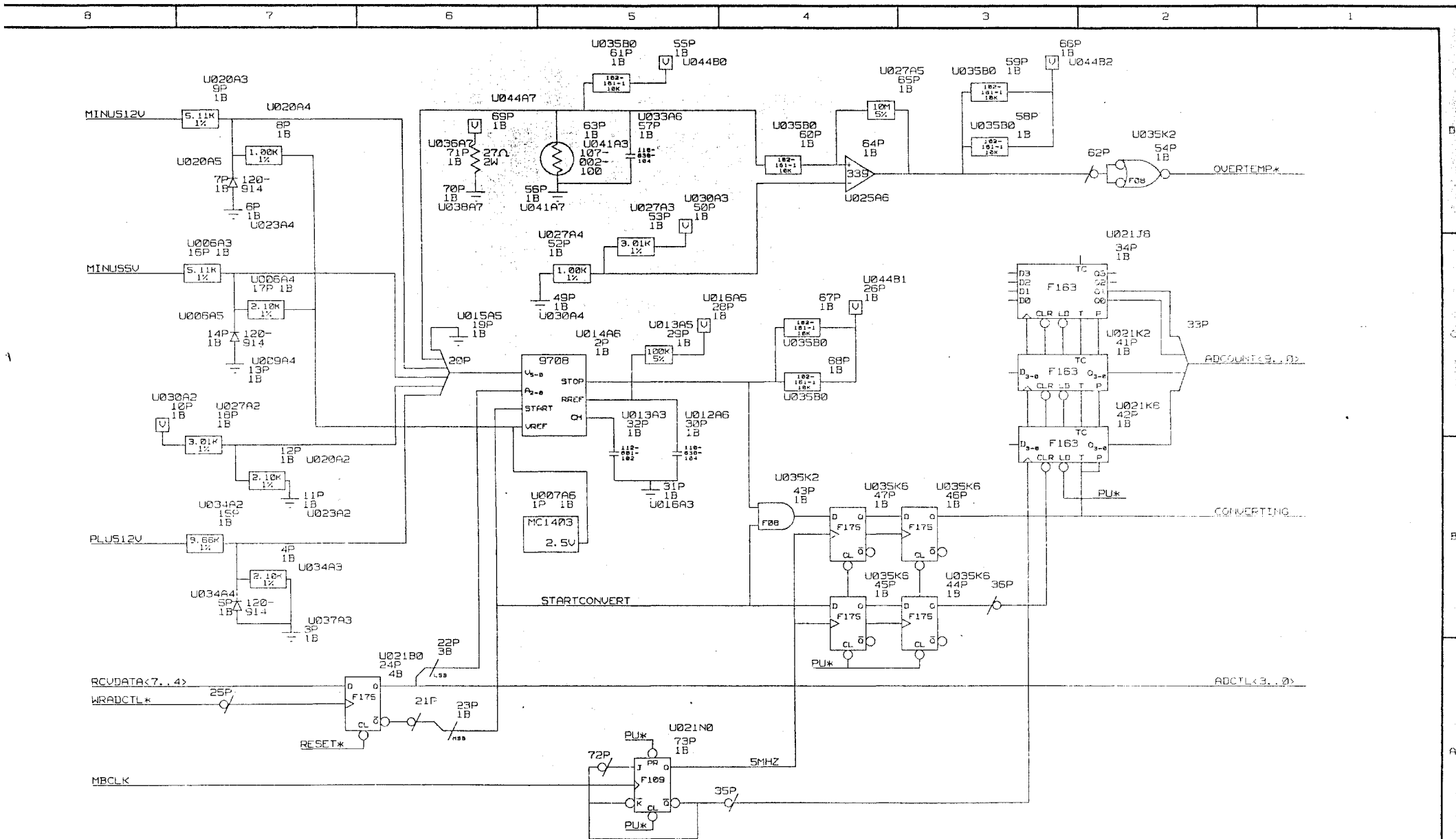
TITLE: ARBCTL		ADDR: ARBCTL
DRAWING: 420-020100-300 REV. 805		ENGR: NOBLES
REVISED: Thu Aug 30 09:14:46 1984	PAGE:	REV. 3 ARBCTL.1



THIS DOCUMENT CONTAINS INFORMATION PROPRIETARY TO CONVEX COMPUTER CORPORATION (CONVEX). USE OR DISCLOSURE WITHOUT THE WRITTEN PERMISSION OF AN OFFICER OF CONVEX IS EXPRESSLY FORBIDDEN. COPYRIGHT (C) CONVEX 1984



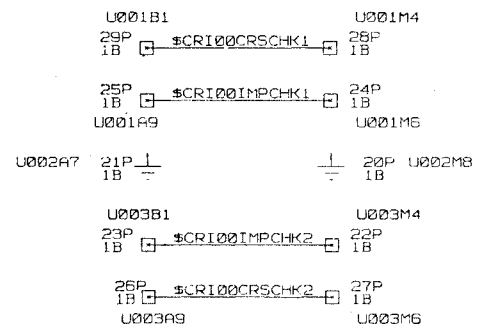
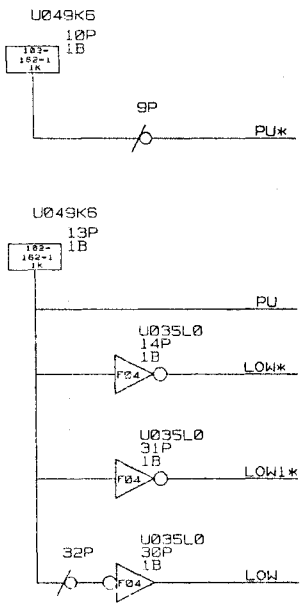
TITLE: M8CU (ERROR LOG)	ASSN: M8CU
DRAWING: 420-000100-300 REV 025	ENGR: TGBLES
REVISED: 1th Aug 30 08: 3419 1984	PAGE: M8CU.8



THIS DOCUMENT CONTAINS INFORMATION PROPRIETARY TO CONVEX COMPUTER CORPORATION (CONVEX). USE OR DISCLOSURE WITHOUT THE WRITTEN PERMISSION OF AN OFFICER OF CONVEX IS EXPRESSLY FORBIDDEN. COPYRIGHT (C) CONVEX 1984



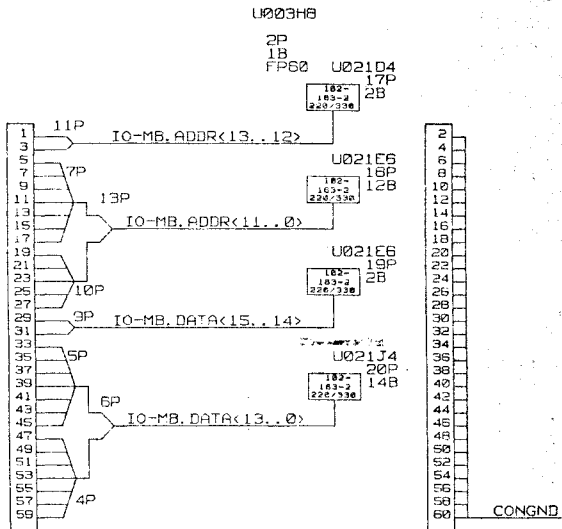
TITLE: MBCU AND CONVERTER	Rev#: MBCU
DRAWING: 420-000100-300 REV 505	ENGR: NOBLECS
REVISED: Thu Aug 30 20:15:25 1984	PAGE: MBCU.3



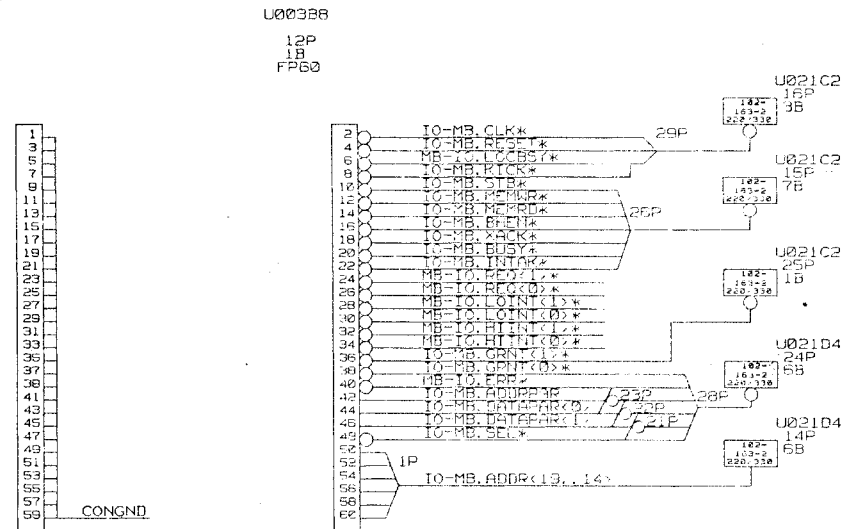
THIS DOCUMENT CONTAINS INFORMATION PROPRIETARY TO CONVEX COMPUTER CORPORATION (CONVEX). USE OR DISCLOSURE WITHOUT THE WRITTEN PERMISSION OF AN OFFICER OF CONVEX IS EXPRESSLY FORBIDDEN. COPYRIGHT (C) CONVEX 1984



TITLE: MBCU	ASSN: MBCU
DRAWING: 420-000100-300 REV. B05	ENGR: NOBLES
REVISED: Thu Aug 30 08:45:03 1984	PAGE: MBCU.10



DATA AND ADDRESS



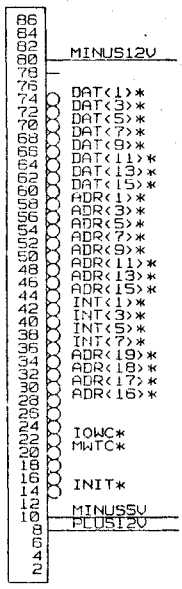
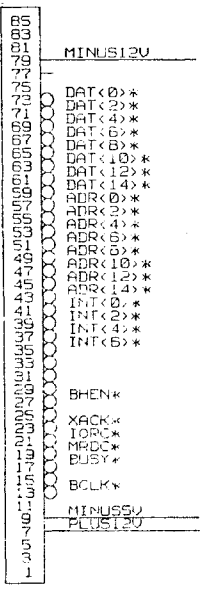
ADDRESS AND CONTROL

THIS DOCUMENT CONTAINS INFORMATION PROPRIETARY TO CONVEX COMPUTER CORPORATION (CONVEX). USE OR DISCLOSURE WITHOUT THE WRITTEN PERMISSION OF AN OFFICER OF CONVEX IS EXPRESSLY FORBIDDEN. COPYRIGHT (C) CONVEX 1984

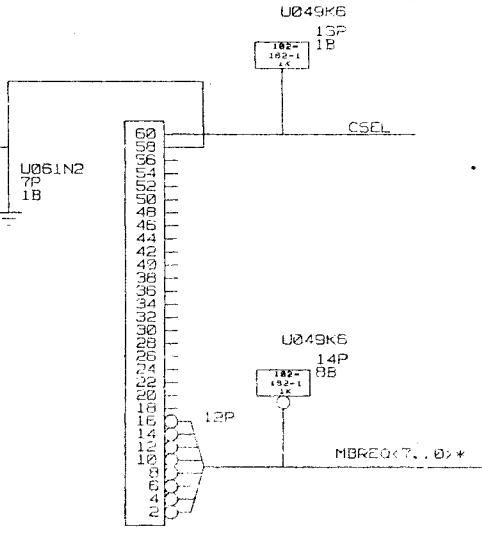
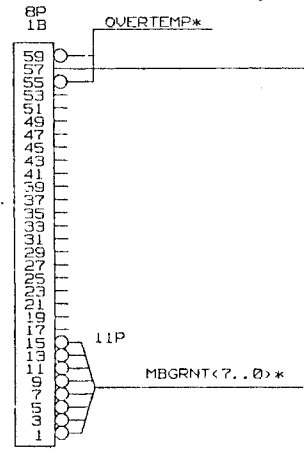


TITLE: M8CU (10P) CONTROL BUS	ABBR: M8CU
DRAWING: 420-000100-300 REV 503	CHGR: HOBLES
REVISED: Thu Aug 30 09:40:00 1984	PAGE: M8CU.11

U052A8
9P
1B



U052K1



THIS DOCUMENT CONTAINS INFORMATION PROPRIETARY TO CONVEX COMPUTER CORPORATION (CONVEX). USE OR DISCLOSURE WITHOUT THE WRITTEN PERMISSION OF AN OFFICER OF CONVEX IS EXPRESSLY FORBIDDEN. COPYRIGHT (C) CONVEX 1984



TITLE: MBCU
DRAWING: 420-000100-300 REV B05

ADDR: MBCU
ENOP: MOBLES

REVISED: Thu Aug 30 09:4:104 1984 PAGE: 12 OF 12

